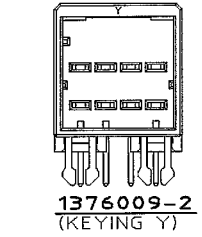
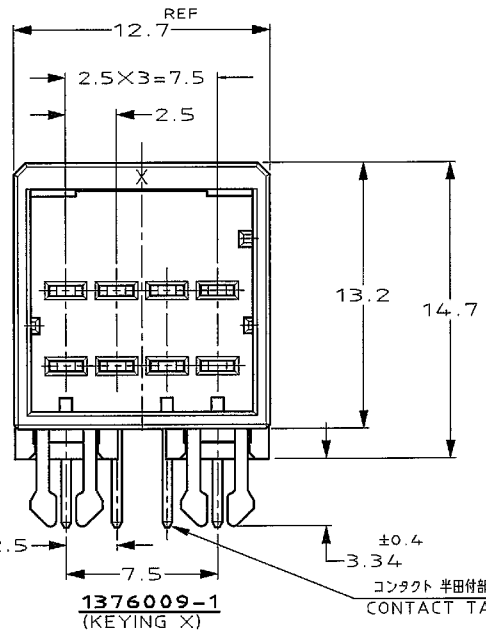
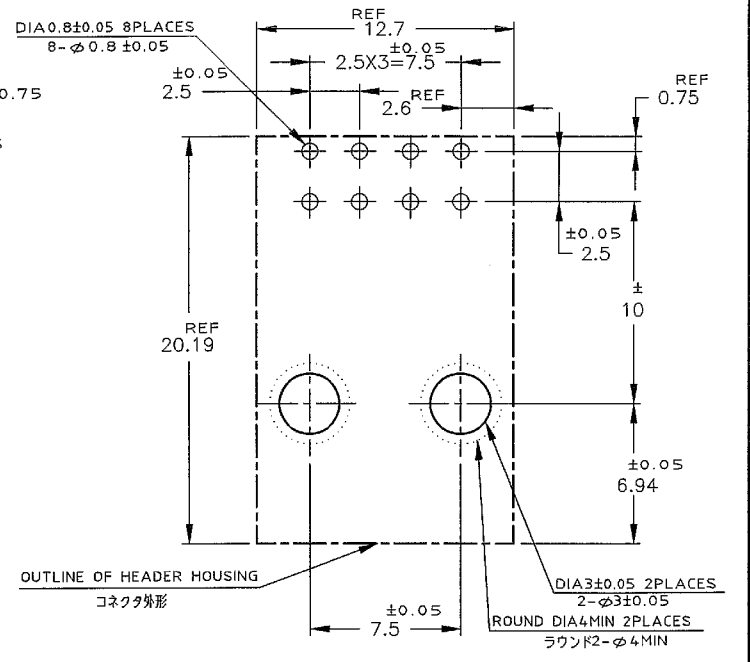
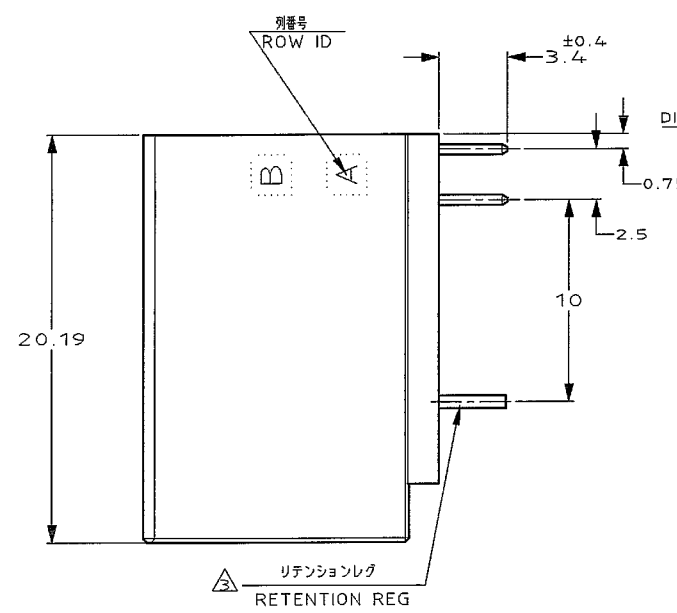
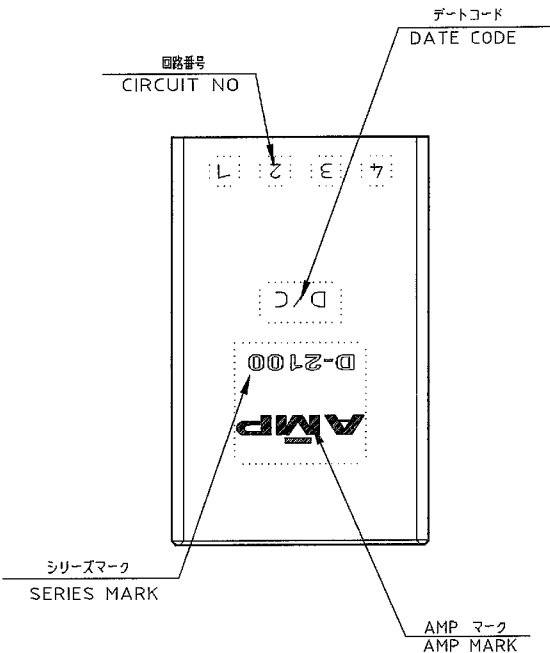


REVISIONS						
P	LTR	DESCRIPTION	ECN	DATE	DWN	APVD
O		RELEASED	FJ00-1755-99	28 FEB '00	K.I.H.	
A		REVISED	FJ00-1802-02	5 SEP '02	T.S.S.M	
B		REVISED	FJD0-0039-03	6/2 '03	T.S.S.M	



推奨基板取付け寸法 (公差: ±0.05)
PC 基板厚: 1.6±0.3
(コネクタ搭載面)

RECOMMENDED PC BOARD HOLE PATTERN (TOL: ±0.05)
PC BOARD THICKNESS: 1.6±0.3
(CONNECTOR MOUNT SIDE)

NOTES

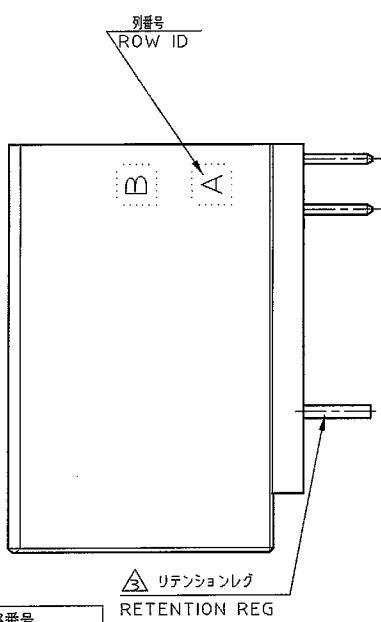
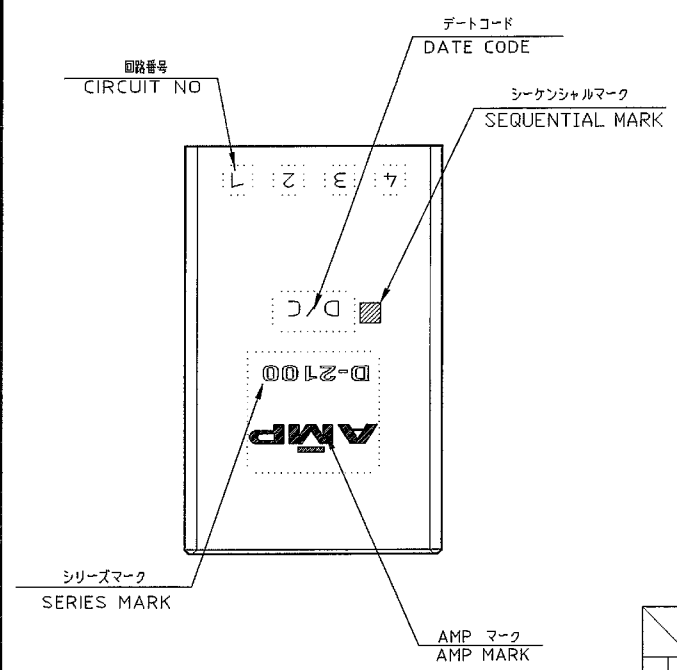
- MATERIAL: HOUSING: GLASS FILLED THERMO PLASTIC, POLYESTER(94V-0), COLOR: BLACK
TAB CONTACT: COPPER ALLOY
RETENTION LEG: BRASS
- FINISH (CONTACT AREA): 0.38μM MIN GOLD PLATING OVER NI PLATING
- FINISH (RETENTION LEG): TIN PLATED (CONTACT TAIL) OVER NICKEL

注記

- 材料: ハウジング: ガラス入り熱可塑性ポリエステル樹脂 (94V-0), 色: 黒
タブコンタクト: 銅合金
リテンションレグ: 黄銅
- めっき: コンタクト: 全面Ni下地 接触部: 0.38μm MIN金めっき
- めっき: リテンションレグとコンタクト半田付部: ニッケル下地の上にスズめっき

THIS DRAWING IS A CONTROLLED DOCUMENT FOR AMP INCORPORATED. IT IS SUBJECT TO CHANGE AND THE CONTROLLING ENGINEERING ORGANIZATION SHOULD BE CONTACTED FOR THE LATEST REVISION.		DWN K.IKEDA 24/FEB/'00	Tyco Electronics AMP K.K. Kawasaki, Japan	
DIMENSIONS: 単位: mm	TOLERANCES UNLESS OTHERWISE SPECIFIED: 一般公差 3% > 10 : ±0.3 10% > 30 : ±0.4 ANGLE : ±3°	CHK Y.KATO 28/FEB/'00	NAME 2別 ヘッダーアセンブリー 8P (水平タイプ) DOUBLE ROW HEADER ASS'Y 8P ("H" TYPE) <DYNAMIC D-2100D>	
MATERIAL 材料 注記参照 SEE NOTES	FINISH 仕上 注記参照 SEE NOTES	APVD HASEGAWA 28/FEB/'00	SIZE A3	CAGE CODE 00779
CUSTOMER DRAWING		PRODUCT SPEC 108-5619	DRAWING NO C=1376009	
		APPLICATION SPEC 114-5258	RESTRICTED TO -	
		WEIGHT	SCALE 4-1	
			SHEET 1 OF 2	
			REV B	

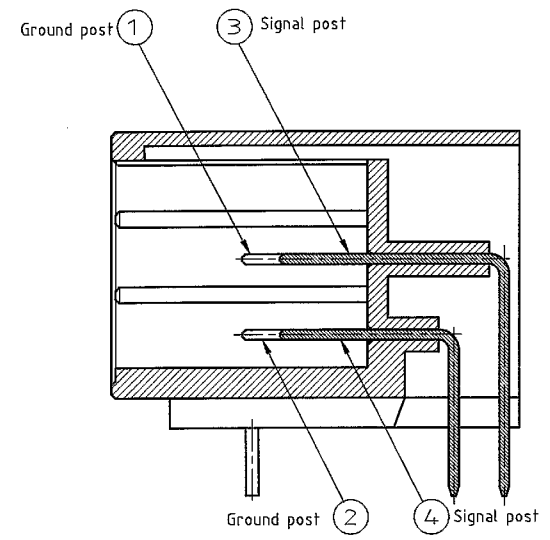
LOC	DIST	REVISIONS						
J		P	LTR	DESCRIPTION	ECN	DATE	DWN	APVD
				SEE 1 OF 2				



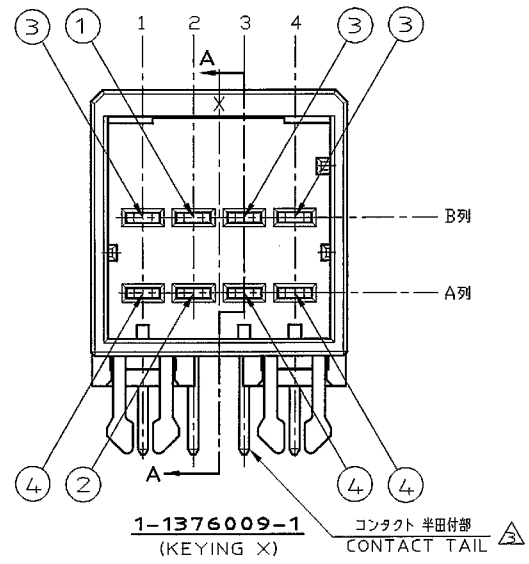
		回路番号			
		1	2	3	4
列番号	B	③ Signal	① Ground	③ Signal	③ Signal
	A	④ Signal	② Ground	④ Signal	④ Signal

POINT OF SEQUENTIAL
1-1376009-1
 (KEYING X)

1-1376009-1; AS SHOWN SEQUENTIAL TYPE



SECT A-A



NOTES

- MATERIAL: HOUSING: GLASS FILLED THERMO PLASTIC, POLYESTER (94V-0), COLOR: BLACK
 TAB CONTACT: COPPER ALLOY
 RETENTION LEG: BRASS
- FINISH (CONTACT AREA): 0.38μm MIN GOLD PLATING OVER NI PLATING
- FINISH (RETENTION LEG): TIN PLATED (CONTACT TAIL) OVER NICKEL

注記

- 材料: ハウジング: ガラス入り熱可塑性ポリエステル樹脂 (94V-0), 色: 黒
 タブコンタクト: 銅合金
 リテンションレグ: 黄銅
- めっき: コンタクト: 全面Ni下地
 接点部: 0.38μm MIN金めっき
- めっき: リテンションレグとコンタクト半田付部: ニッケル下地の上にスズめっき

THIS DRAWING IS A CONTROLLED DOCUMENT FOR AMP INCORPORATED. IT IS SUBJECT TO CHANGE AND THE CONTROLLING ENGINEERING ORGANIZATION SHOULD BE CONTACTED FOR THE LATEST REVISION.		DWN K.IKEDA 24/FEB/'00		Tyco Electronics AMP K.K. Kawasaki, Japan	
DIMENSIONS: 単位 寸 mm		CHK Y.KATO 28/FEB/'00		NAME 2列 ヘッダーアセンブリー 8P (水平タイプ)	RESTRICTED TO
TOLERANCES UNLESS OTHERWISE SPECIFIED 一般公差 10% ±0.3 3% >10 ±0.35 10% >30 ±0.4 ANGLE: ±3°		APVD I.HASEGAWA 28/FEB/'00	PRODUCT SPEC 108-5619	SIZE A3	CAGE CODE 00779
MATERIAL 注記参照 SEE NOTES		APPLICATION SPEC 114-5258	WEIGHT	DRAWING NO C=1376009	
FINISH 注記参照 SEE NOTES		CUSTOMER DRAWING		SCALE 4-1 SHEET 2 OF 2 REV B	